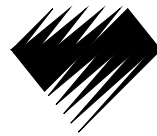


SERVICE BULLETIN



Diamond
AIRCRAFT

Service Bulletin No.: DA20-33-02, Rev. 0

Date Issued: January 8, 1996

Title: Instrument Lighting,
Dimming Circuit for KLX135 or KLX135A GPS/COM

Page: 1 of 4

1. **ATA Code:** 3310
2. **Effectivity:** DA 20 Katanas, Serial Number 10002 through 10052 equipped with KLX135 or KLX 135A GPS/COM.
3. **General:** A dimming bus is not connected to the KLX 135 or KLX 135A GPS/COM radio causing the LCD back lighting to remain in an auto full brilliance mode. A wiring circuit is required to simulate a full dim bus condition when required. When activated the LCD back lighting is fully dimmed and the display is illuminated only by ambient light.
4. **Compliance:** At next scheduled inspection.
5. **Approval:** Engineering data referenced or contained in this bulletin is Transport Canada approved.
6. **Labor:** Approximately 4.0 man-hours

7. Material:	<u>Item</u>	<u>Description</u>	<u>Part Number</u>	<u>Quantity</u>	<u>Supplier</u>
	1	Resistor	610-75R-1%		RCD
	2	Wire	34734A22, 34735A22, 34736A22, Jumper		Diamond
	3	Nut	HN-248	2	Spaenaur
	4	Screw	MS 38-2	2	Spaenaur
	5	Trim display	20-2720-40-00 (resistor and wiring pre-assembled)		Diamond
	6	Ring terminal	31886		Amp

Above material may be ordered by submitting a purchase order to Diamond Aircraft, Customer Support for Service Bulletin Kit P/N DA 20-33-02 MK.

8. **Special Tools:** None
9. **References:** Figure 1, Figure 2, Figure 3, wiring diagram 20-2400-99-00 sheet 3.

10. Accomplishment Instructions

- 10.1 Remove cowlings and **Disconnect the negative lead from the battery.**
- 10.2 Remove the instrument panel cover.
- 10.3 Locate the resistor (ref. item 1), layout and drill holes as per figures 1 and 2.
- 10.4 Remove the trim display. Cut wires # 27511A22 and # 27512A22 approximately 1" behind the switch. Strip 1/4" of insulation from the wires.

SERVICE BULLETIN



Diamond
AIRCRAFT

Service Bulletin No.: DA20-33-02, Rev. 0

Date Issued: January 8, 1996

Title: Instrument Lighting,
Dimming Circuit for KLX135 or KLX135A GPS/COM

Page: 2 of 4

Accomplishment Instructions (cont'd from page 1)

- 10.5 Install the modified trim display (ref. item 5) and crimp wires #27511A22 and #27512A22 into their respective butt splices provided with the display.
- 10.6 Route wire #34736A22 and #34734A22 along the existing wire bundles to the resistor (ref. item 1) mounting location.
- 10.7 Mount the resistor (ref. item 1) as shown in figure 1.
- 10.8 Route wire #34734A22 along the existing wire bundles from the resistor mounting location to the internal lights circuit breaker and connect it to the load side of the circuit breaker.
- 10.9 Remove the KLX 135 or KLX 135A from the radio rack using a 3/32 allen key. Insert the allen key in the hole in the faceplate of the radio and turn counter clockwise until the radio becomes loose in the tray. Pull the radio straight out of the tray.
- 10.10 Remove the two mounting screws from the top connector in the radio tray. Pull the connector up and over to the left to improve accessibility.
- 10.11 Route wire #34735A22 from the resistor mounting location along existing wire bundles to the top connector of the KLX 135 or KLX 135A and insert pin into A of the connector. Insert the jumper wire pins into B and L of the connector.
- 10.12 Install the connector in reverse order of removal and install the KLX 135 or KLX 135A back into the rack.
- 10.13 Connect the negative battery lead to the battery and install cowlings.
- 10.14 Close the Battery circuit breaker. Energize the aircraft electrical system and turn on the KLX 135 or KLX 135A. Select the Dim\Bright switch to Bright; the LCD back lighting should be at full brilliance. Select the switch to Dim the LCD back lighting should be fully dimmed.
- 10.15 Install the instrument panel cover.

11. Weight and Balance: Not Applicable

12. Electrical Load Data: Not Applicable

13. Credit: A labor credit of 4 hours will be given upon receipt of a completed warranty application form.

To obtain satisfactory results, procedures specified in this service information letter must be accomplished in accordance with accepted methods and current government regulations. Diamond Aircraft Industries Inc. cannot be responsible for the quality of work performed in accomplishing the requirements of this service information letter.

Diamond Aircraft Industries Inc. 690 Crumlin Sideroad, London, Ontario, Canada N5V 1S2
Phone: (519) 457-4000 Fax: (519) 457-4037

COPYRIGHT 1996

SERVICE BULLETIN



Diamond

AIRCRAFT

Service Bulletin No.: DA20-33-02, Rev. 0

Date Issued: January 8, 1996

Title: Instrument Lighting,
Dimming Circuit for KLX135 or KLX135A GPS/COM

Page: 3 of 4

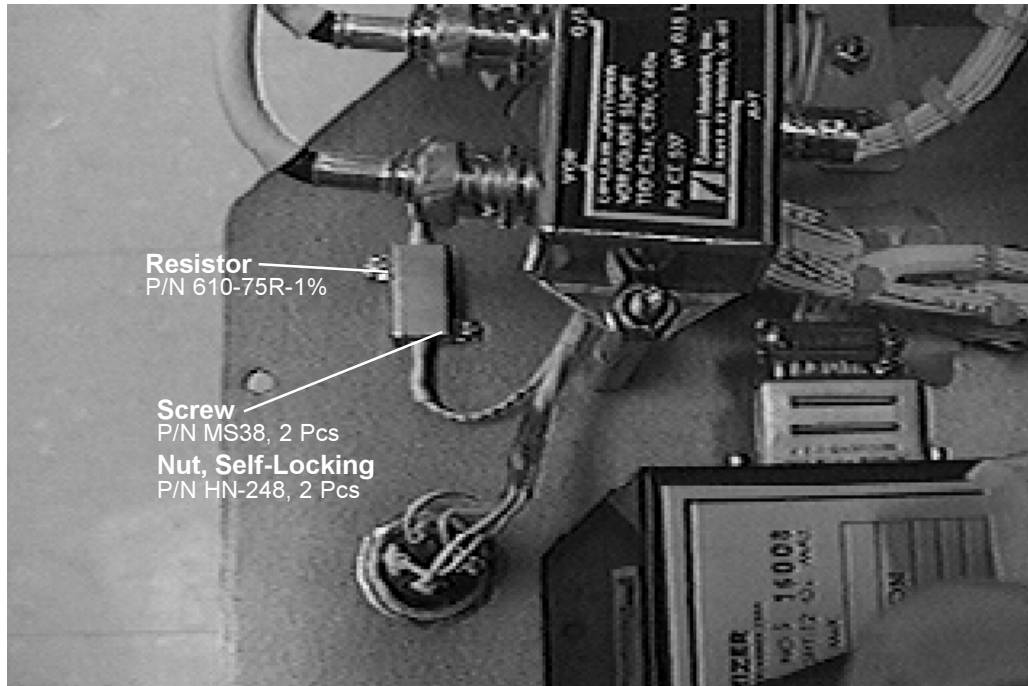


Figure 1. Ref. DAI Engineering Drawing #20-3910-01-00, rev. f

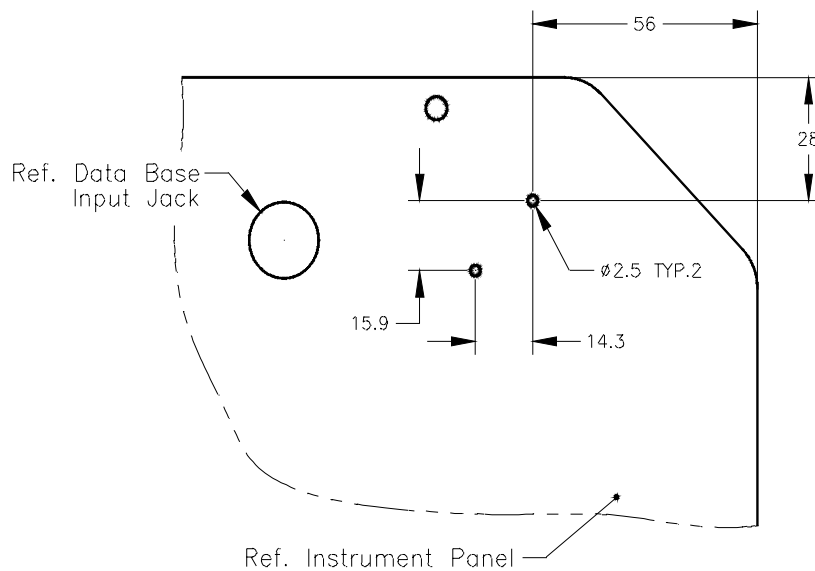


Figure 2. Ref. DAI Engineering Drawing #20-3910-02-01, rev. i

SERVICE BULLETIN



Service Bulletin No.: DA20-33-02, Rev. 0

Date Issued: January 8, 1996

Title: Instrument Lighting,
Dimming Circuit for KLX135 or KLX135A GPS/COM

Page: 4 of 4

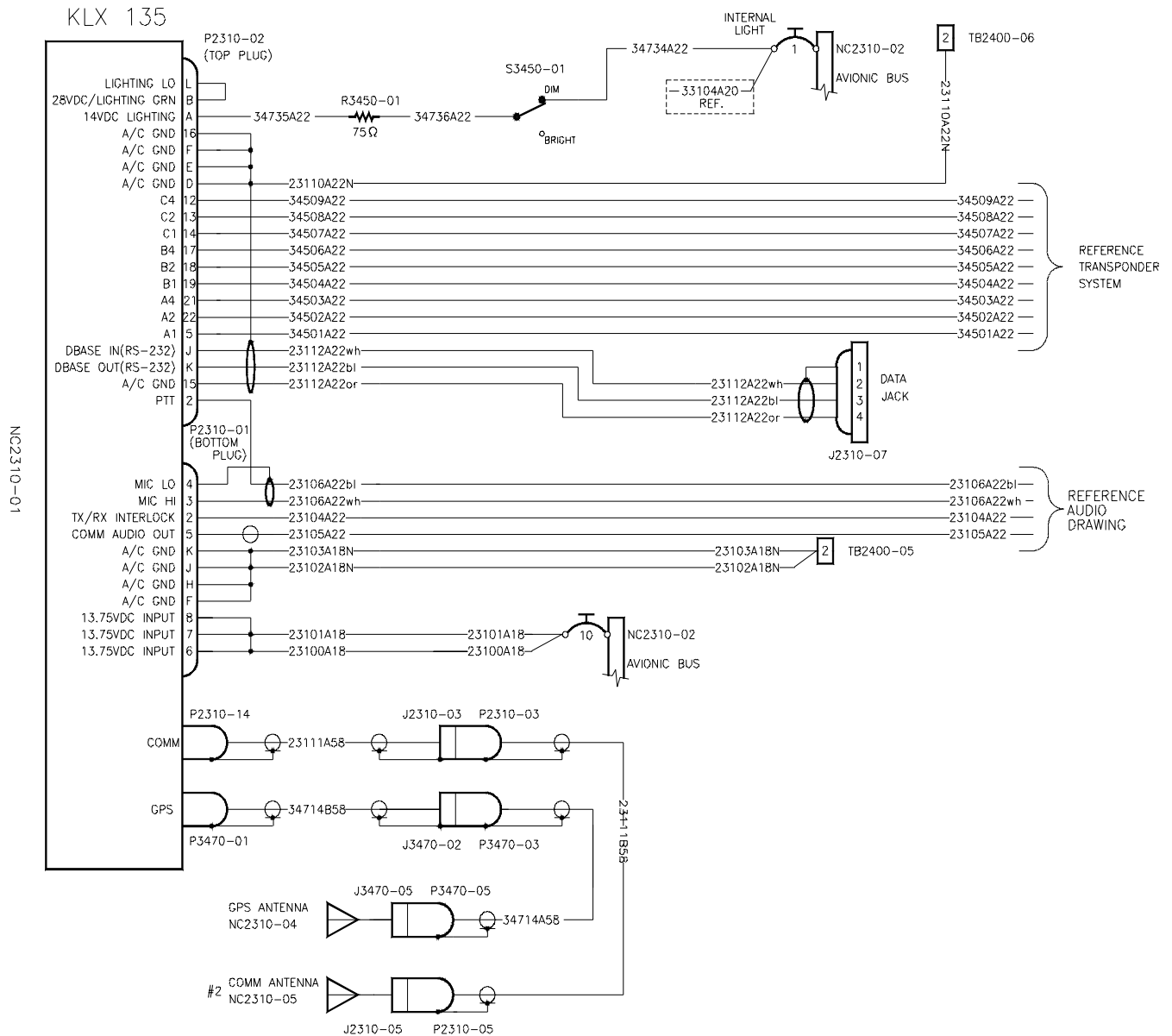


Figure 3. Ref. DAI Engineering Drawing #20-2400-99-00, rev. d